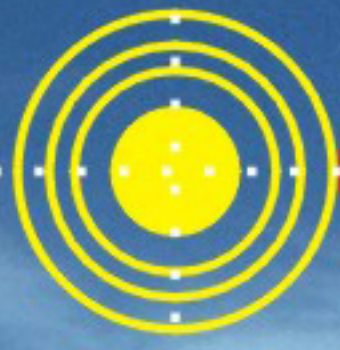


HeadLINE

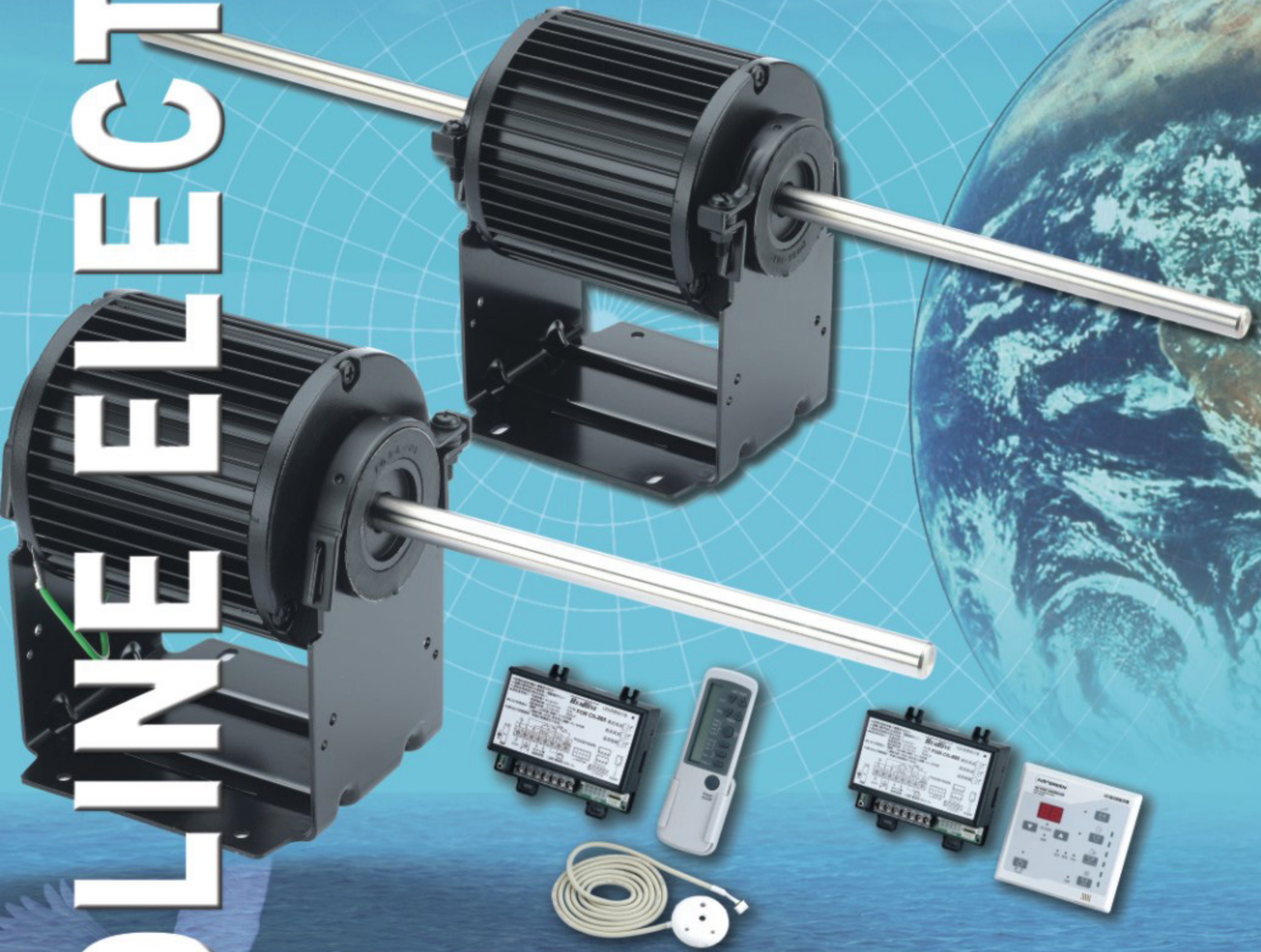
HEADLINE ELECTRIC



DCBL MOTOR

DCBL VAV MOTOR

- ▶ **HMF012/Single Shaft**
- ▶ **HMF011/Double Shaft**



**Energy Saving
Constant Temperature
Comfort
Innovative**

Headline

HEADLINE ELECTRIC

Company Profile

- Established : Year 1978.
- Capital : US\$ 1.2 Million.
- Facilities : Total Plant Area 50,000 sq. ft.
- Capacity: 800,000 Units/Year
- Quality System: ISO9001



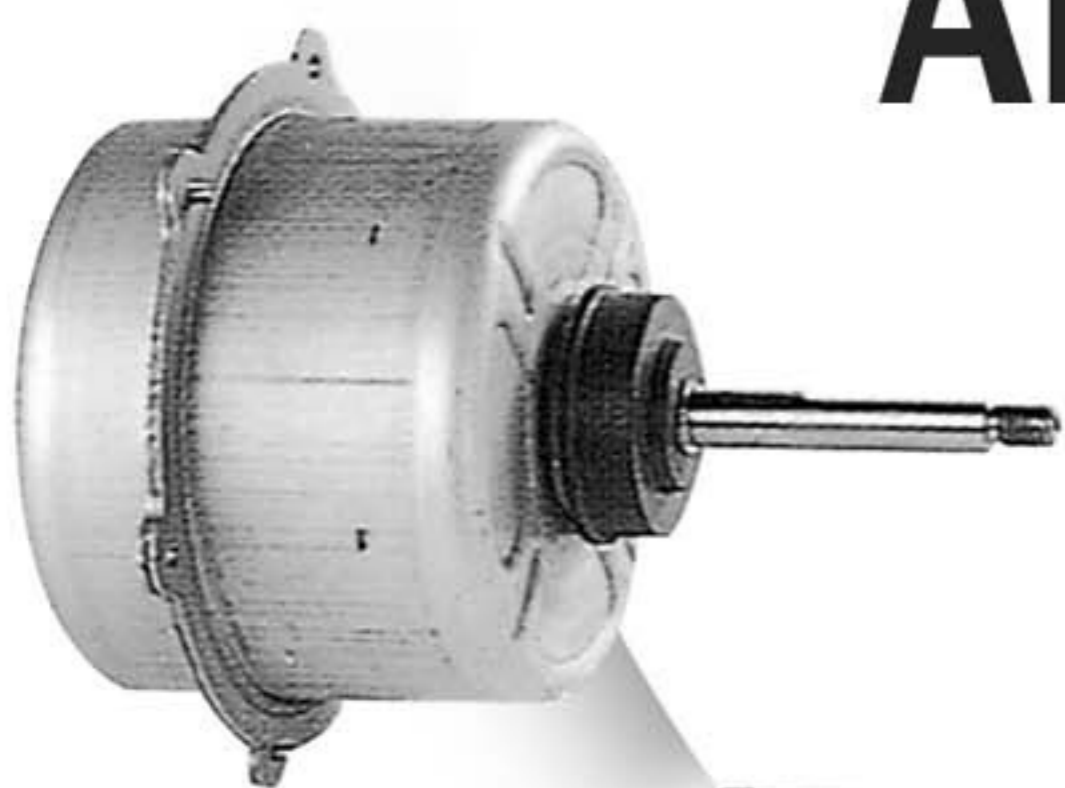
Quality Policy:

**Match Requirement.
Quality First
Customer Satisfaction
Enduring Improvement**

Product Range :

- **DCBL Motor For** Fan Coil, Air Conditioner, Air Cleaner, E- Scooter/ Bike, Auto Sliding Door.
- **AC VAV Motor** For Air Conditioner.
- **AC Motor** For Fan Coil, Air Conditioner, Air Cleaner, Hand Dryer, Washing Machine.

Customize Motors for Air-Moving Devices



■ AC Induction Motor

- For Air Conditioning
single Phase, Three Phase
- Three Phase (2 Speed Design)



■ Brushless DC Motor & Controller

- MF-Series For VAV Air Conditioning
- KA-Series For Sliding Door
- KG-Series For Industry Machine
- EV-Series For E-Bike / E-scooter



for more details, please contact at
886-49-2563520 or visit our web-site
<http://www.headline-motor.com>



HEADLINE

HEADLINE ELECTRIC CO., LTD

No. 149-1, Yu Pin Rd., Tsao Tun Chen, Nan Tou Hsien, Taiwan. R.O.C.

TEL:886-49-2563520 FAX:886-49-2566753 E-mail:sales@headline-motor.com.tw

HEADLINE

AC MOTOR

Characteristics :

- Customized Design
- Fastest Lead-Time.
- On-Time Delivery.



■ Fan Coil Motor



■ Fan Coil Motor

HEADLINE ELECTRIC



■ Window Type Motor



■ Outdoor Unit / Chiller Motor

O.D (m/m)	PHASE	OUTPUT (W)	POLE (P)	APPLICATION
85	1	5-60	2,4	Air Conditioning Indoor, Outdoor, Cooling Fan, Customize Special Applications
	3	-	-	
97	1	8-120	2,4,6	Air Conditioning Indoor, Outdoor, Cooling Fan, WindowType, Fan Coil, Customize Special Applications
	3	10-150	4,8	
115	1	15-250	4,6,8,12	Air Conditioning Indoor, Outdoor, Cooling Fan, WindowType, Fan Coil, Customize Special Applications
	3	20-300	4,8	
124	1	20-300	4,6,8,12	Air Conditioning Indoor, Outdoor, Cooling Fan, WindowType, Fan Coil, Customize Special Applications
	3	20-400	4,8	
144	1	50-580	2,4,6,12	Air Conditioning Indoor, Outdoor, Cooling Fan, WindowType, Fan Coil, Customize Special Applications
	3	50-750	2,4,6,8,12	
164	1	100-1200	2,4,6,8,12	Air Conditioning Indoor, Outdoor, Cooling Fan, Package, NEMA, IEC Standard, Customize Special Applications
	3	100-1500	2,4,6,8,12	
185	1	300-1500	2,4,6,8,12	Air Conditioning Indoor, Outdoor, Cooling Fan, Package, NEMA, IEC Standard, Customize Special Applications
	3	300-3700	2,4,6,8,12	
195	1	500-2200	2,4,6,8,12	Air Conditioning Indoor, Outdoor, Cooling Fan, Package, NEMA, IEC Standard, Customize Special Applications
	3	500-5600	2,4,6,8,12	
138	1	20-250	4,6,8,12	Motor For Laundry Use(Washing Machine, Cloth Dryer), Customize Special Applications
	3	20-300	4,8	

HEADLINE ELECTRIC CO., LTD
<http://www.headline-motor.com>
 E-mail: sales@headline-motor.com.tw

No.149-1, Yu Pin Rd., Tsao Tun Chen,
 Nan Tou Hsien(54242), Taiwan, R.O.C
 TEL: 886-49-2563520 ~ 8(9 line)
 FAX: 886-49-2566753, 2566763

Variable Air Volume

HEADLINE

AC VAV MOTOR

Application: Outdoor Unit



■ AC-HVAV45001



■ **Controller** : (For HEADLINE HVAV series Use Only)

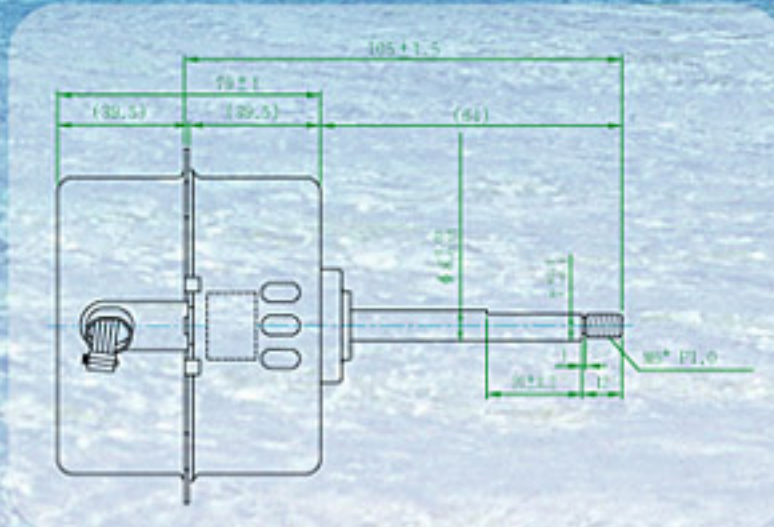
- Model No.: HM5VAV2C1T
Twin Sensors with Single Terminal
Application:
a. Double Compressors/ Single Fan Motor System
b. Single Compressor/ Cooling and Heating System
- Model No.: HM5VAV1C1T
Single Sensor with Single Terminal
Application:
Single Compressor / Single Fan Motor System

Headline Electric Co., Ltd
No.149-1, Yu Pin Rd., Tsao Tun Chen,
Nan Tou Hsien(54242) , Taiwan, R.O.C
TEL: 886-49-2563520~8(9 line)
FAX: 886-49-2566753.2566763
<http://www.headline-motor.com>
E-mail: sales@headline-motor.com.tw

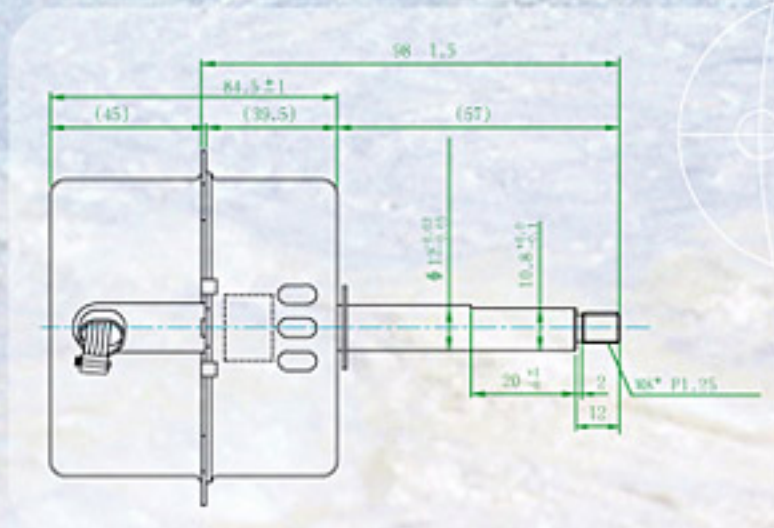
HEADLINE ELECTRIC



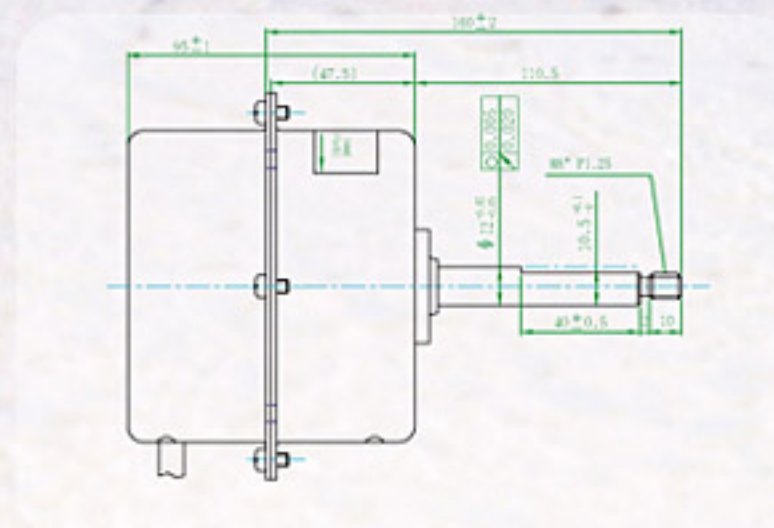
■ AC-HVAV37001



■ AC-HVAV40001



■ AC-HVAV50001



AC VAV MOTOR SPECIFICATION

Model No.	Voltage (V)	Frequency	Pole	Output (W)	Rotation	Speed Range (RPM)				Remark
						Hi	Me	Lo	L1	
HVAV37001	220	60Hz	6P	25	CCW	780	680	600	520	for ø 370Fan
HVAV40001	220	60Hz	6P	50	CCW	850	750	650	550	for ø 400Fan
HVAV45001	220	60Hz	6P	87	CCW	1000	850	750	600	for ø 450Fan
HVAV50001	220	60Hz	6P	104	CCW	950	800	650	550	for ø 500Fan

Headline

HEADLINE ELECTRIC

HEADLINE

Variable Air Volume

DCBL VAV MOTOR

Company Profile

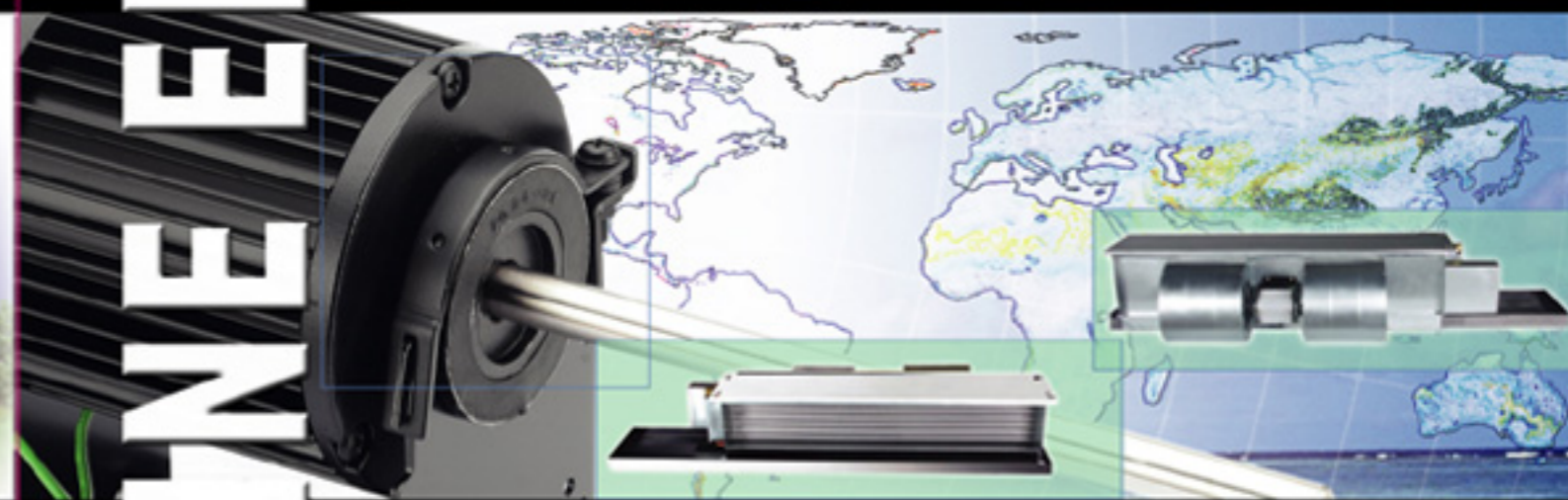
- Established : Year 1978.
- Capital : US\$ 1.2 Million.
- Facilities : Total Plant Area 50,000 sq. ft.
- Capacity : 800,000 Units/Year
- Quality System: ISO9001

Quality Policy

- Match Requirement.
- Quality First
- Customer Satisfaction
- Enduring Improvement

Product Range

- **DCBL Motor** For Fan Coil, Air Conditioner, Air Cleaner, E-Scooter/E-Bike, Auto Sliding Door.
- **AC VAV Motor** For Air Conditioner.
- **AC Motor** For Fan Coil, Air Conditioner, Air Cleaner, Hand Dryer, Washing Machine. (Customize Special Applications)



Headline

Headline Electric Co., Ltd
No. 149-1, Yu Pin Rd., Tsao Tun Chen,
Nan Tou Hsien(54242) , Taiwan, R.O.C
TEL: 886-49-2563520 ~ 8(9 line)
FAX: 886-49-2566753 2566763
<http://www.headline-motor.com>
E-mail: sales@headline-motor.com.tw

Features

- Energy Saving
- Comfort
- Constant Temperature
- Innovative

HEADLINE ELECTRIC

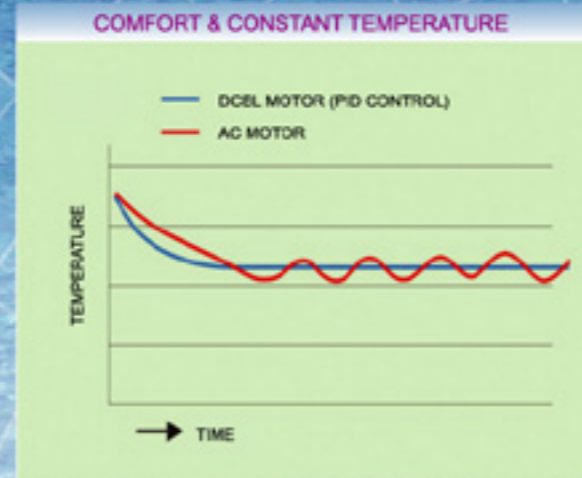
DCBL MOTORS' FEATURE

Energy Saving

Comfort

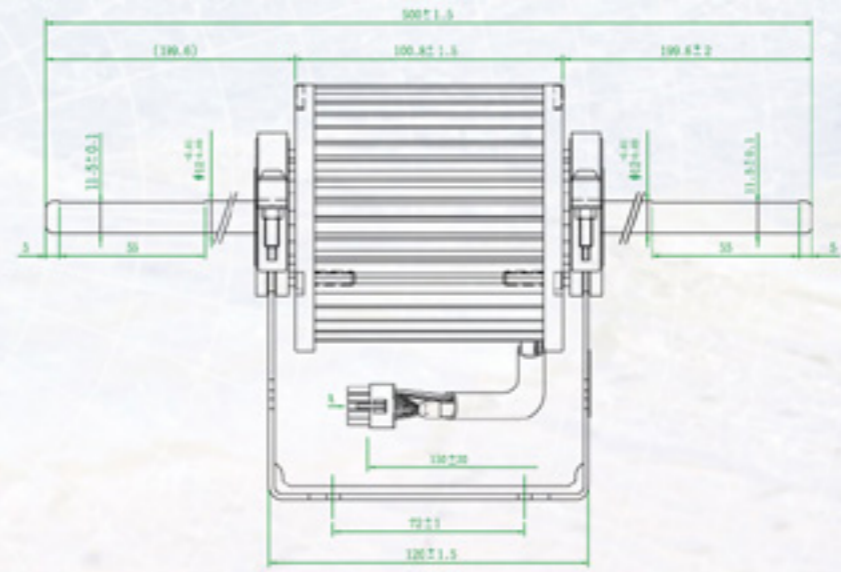
Innovative

Constant Temperature



SPECIFICATION

Model No.	Voltage (VDC)	Output (W)	Rotation	Speed Range (RPM)	Insulation Class
HMF011	300	120	CW	500-1200	E Class
HMF012	300	60	CW	500-1200	E Class
HMR013	150	120	CW	500-1200	E Class
HMT014	150	60	CW	500-1200	E Class



DCBL FAN COIL MOTOR Model No. : HMF011 / HMF013 (Double Shaft)



DCBL FAN COIL MOTOR Model No. : HMF012 / HMF014 (Single Shaft)

